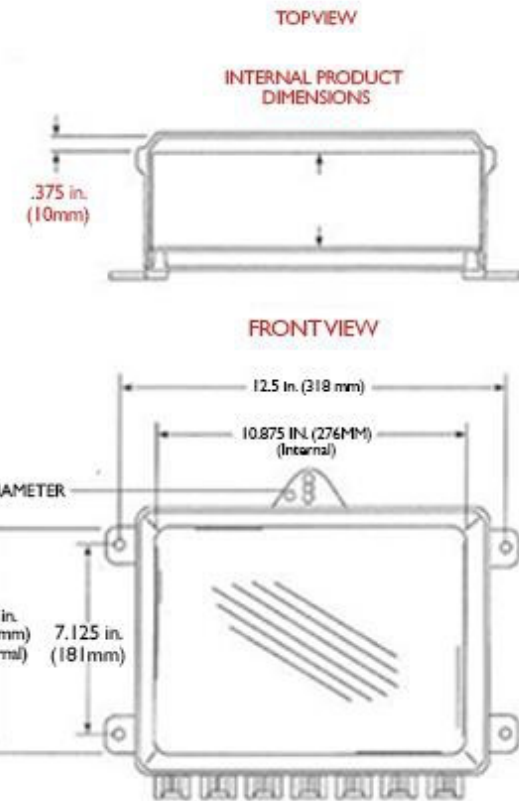
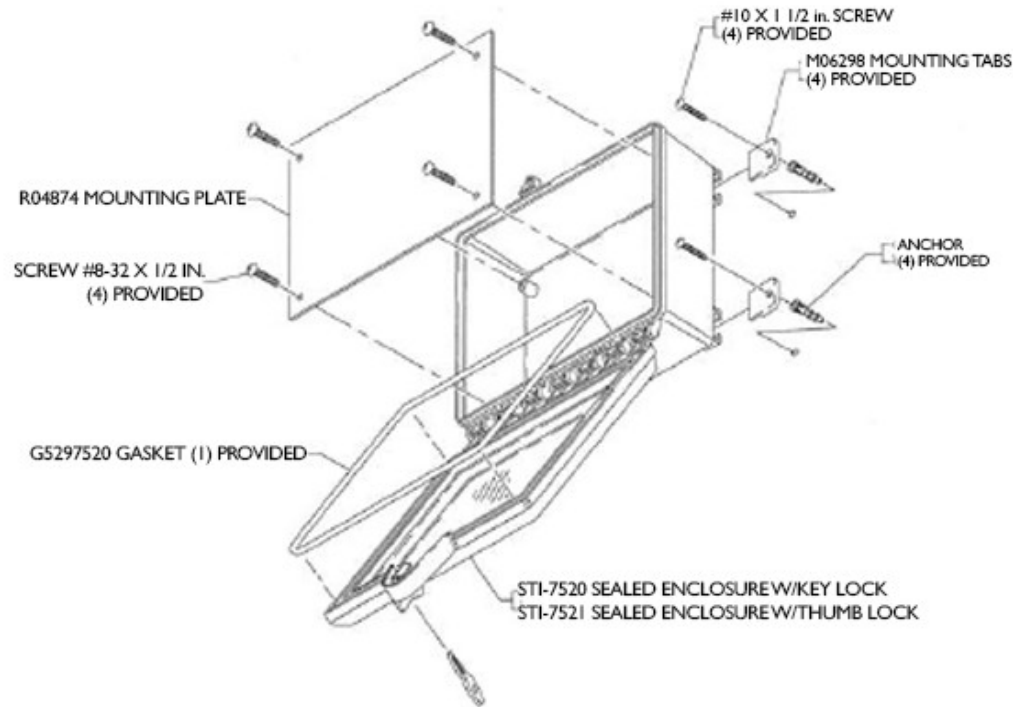




NALOXBOX.org

*Saving lives one **BOX** at a time.*

NaloxBox Cabinet Installation Guide



INSTALLATION INSTRUCTIONS

1. Insert the (4) mounting tabs into the (4) back box slots.
2. Using the installed mounting tabs as a template, mark and drill (4) 1/4 in. diameter holes and complete installation as shown

CLEANING INSTRUCTIONS

Rinse with water to remove abrasive dust and dirt. Wash with soap or mild detergent using a soft cloth. **DO NOT SCRUB OR USE BRUSHES OR ABRASIVES.** Rinse once more, then dry with a soft cloth or chamois. To remove grease or wet paint, rub gently with a cloth wetted thoroughly with naphtha. Then wash and rinse. **DO NOT USE RAZOR BLADES OR GASOLINE.**

WARNING: This product can expose you to chemicals including Dichloromethane, which is known to the State of California to cause cancer, and Bisphenol A (BPA), which is known to the State of California to cause birth defects or other reproductive harm. For more information go to www.P65Warnings.ca.gov.

INSTALLATION OF STI-7520 & STI-7521 NEMA 4X PROTECTIVE CABINET

All specifications and information shown were current as of publication and are subject to change without notice.

7520_2115 AUG2008

NEMA 4X

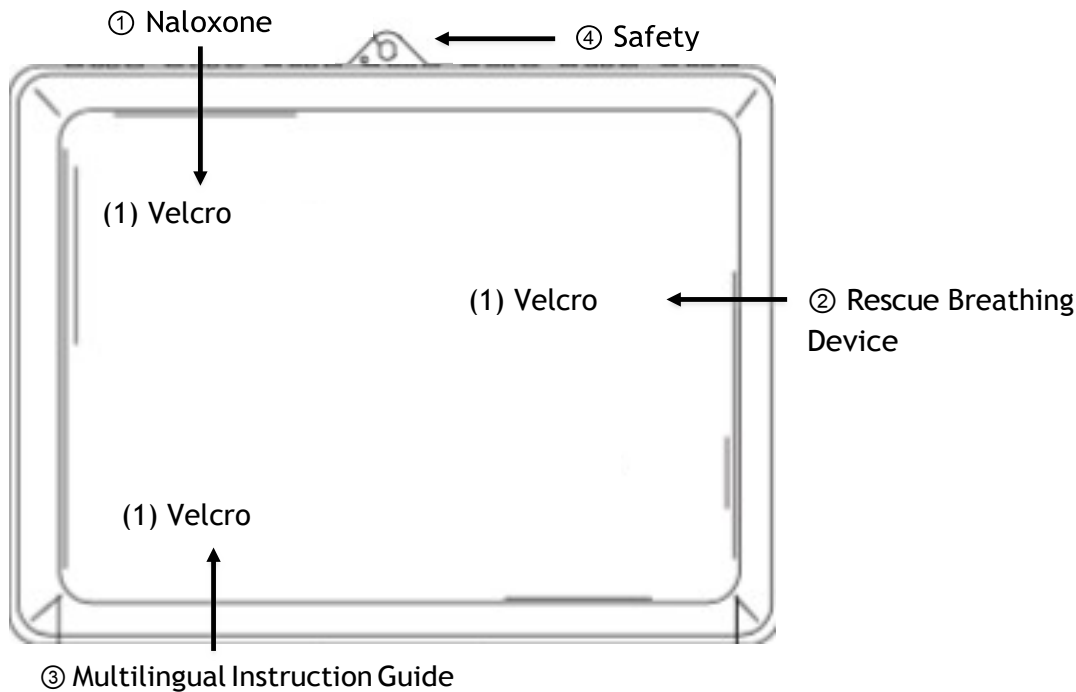




NALOXBOX.org

*Saving lives one **BOX** at a time*

NaloxBox Inside Assembly Guide



INSIDE ASSEMBLY INSTRUCTIONS

1. **Naloxone Kit; Top (L) Corner:** Peel off (1) piece of double-sided velcro tape and place the adhesive side onto the top left corner of the NaloxBox. Place the corresponding velcro tape onto the **Naloxone kit** and attach it to the inside of the unit.
2. **Rescue Breathing Device; Top (R) Corner:** Peel off (1) piece of double-sided velcro tape and place the adhesive side onto the top right corner of the NaloxBox. Place the corresponding velcro tape onto the **Rescue Breathing Device** and attach it to the inside of the unit.
3. **Multilingual Instruction Guide; Bottom (L) Corner:** Peel off (1) piece of double-sided velcro tape and place the adhesive side onto the bottom left corner of the NaloxBox. Place the corresponding velcro tape onto the **Multilingual Instruction Guide** and attach it to the inside of the unit.
4. **Safety Seal:** Place red safety seal through the hole near the keylock to provide additional security and deter tampering with the unit.

⚠ WARNING The rescue breathing device is intended for single use only. Please do not reuse the rescue breathing device or place a used device back inside the NaloxBox. Instruction booklets correspond with the chosen naloxone kit. We offer both intranasal and intramuscular NaloxBox units. Naloxone is NOT sold with the NaloxBox. Each NaloxBox collaborator becomes the owner of the unit, is responsible for its stocking, proper use, maintenance, and must determine which type of naloxone is best for their setting.